

lifetime limited warranty

Your Drive brand product is warranted to be free of defects in materials and workmanship for the lifetime of the original consumer purchaser.

This device was built to exacting standards and carefully inspected prior to shipment. This Lifetime Limited Warranty is an expression of our confidence in the materials and workmanship of our products and our assurance to the consumer of years of dependable service.

This warranty does not cover device failure due to owner misuse or negligence, or normal wear and tear. The warranty does not extend to non-durable components, such as rubber accessories, casters, and grips, which are subject to normal wear and need periodic replacement.

If you have a question about your Drive device or this warranty, please contact an authorized Drive dealer.



© 2006 Medical Depot, Inc. All rights reserved.
Drive is a trademark of Medical Depot, Inc.
Port Washington N.Y. 11050 USA Made in China

steerable
knee walker



EU Authorized Representative
Drive International, LLC
Globe Lane - Stockport
DUKINFIELD SK16 4RE, GB

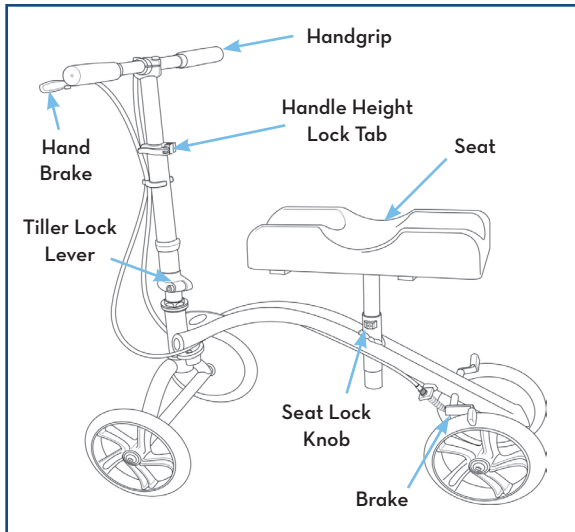
www.drivemedical.com

drive
WWW.DRIVEMEDICAL.COM

CAUTION

TO REDUCE THE RISK OF ACCIDENT:

- Before using the Knee Walker, you should be trained by a healthcare professional or dealer.
- Engage the lock and practice bending, reaching and transfers on and off the Knee Walker. DO NOT use the Knee Walker by yourself until you have been properly trained, you have practiced with someone and you feel confident you can maneuver by yourself.
- The use of the Knee Walker is individual to the person. You should develop your own methods for use based on your personal level of function and ability.
- NEVER attempt a maneuver that has not been practiced.
- Be aware of your surroundings when operating the Knee Walker. Look for hazards and avoid them.



operating the knee walker

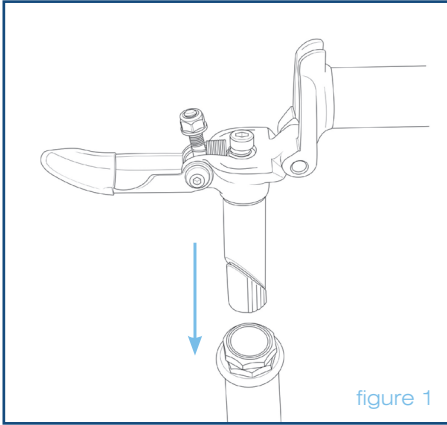
The Drive Knee Walker is a mobility device that provides strength and comfort to anyone who may have an injury below the knee. It allows an even distribution of body weight by supporting half of the weight on the device and the other half on the non-injured leg. The device has a cushioned platform to support both the injured leg and ankle to make certain that no weight will be placed on the lower leg.

The device is designed for easy steering and stopping. Brakes are also featured on this device for controlled movement and safety.

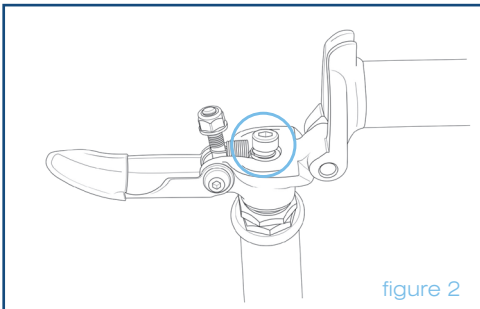
- Placement of injured leg on bench should be centered side to side and positioned forward to cover the full length of bench.
- With injured leg on bench, stand as straight as possible (adjust the height of the Knee Walker as necessary).
- With injured foot pointing down, the propulsion leg should be maintained as close as possible to the bench.
- While on your toes, start out with small steps with propulsion leg. Concentrate on keeping that leg next to the bench. With practice, you should be able to move forward without deviating to the opposite side.

assembly instructions

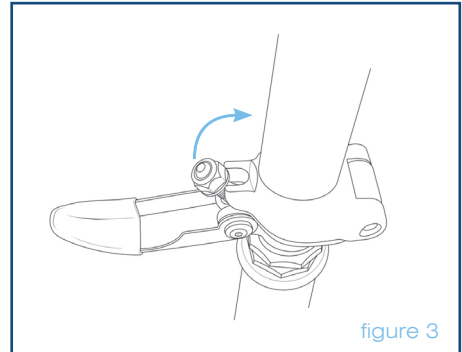
1. Remove contents from carton.
2. Insert front tiller into front of frame (figure 1).



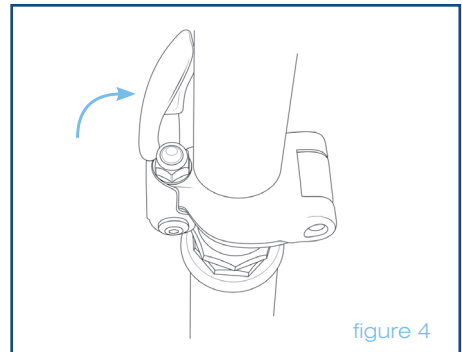
3. Once tiller is in place and handles are aligned correctly with the wheels, tighten the screw (figure 2) using an allen key by turning clockwise.



4. Straighten tiller to the upright position. Slide second screw into receptacle (figure 3)



5. Secure screw and tiller in place by pushing locking handle against the side of the tiller (figure 4).



6. Insert seat post into seat receptacle on frame. Set to desired height and secure in place by inserting thumb screw and turning clockwise until tight.

using the hand brake

Do not use the Knee Walker if the brake system is not working properly.

- The Knee Walker's brake is similar to a bicycle and also has a locking feature.
- To use the brake, simply pull the lever with your finger tips toward the handle bar.
- To lock the brake, pull the brake lever towards the handlebar and push down spring loaded push button (located on top of brake). When done correctly, push button will remain down and brake lever will be locked in place. Repeat for other brake.
- To release brake, simply pull lever towards the handle bar. Push pin will pop up automatically.

adjusting the hand brake

- For minor adjustment the brake adjuster located on the handbrake can be turned out from the hand brake counterclockwise to tighten the brake, or clockwise to loosen the brake. Keep the cable adjuster nut against the hand brake.
- If further adjustment is required, apply the same method of adjustment at the lower cable adjuster.
- As you adjust the cable adjuster and the adjuster nut away from each other the brakes will tighten, and as you adjust them closer the brakes will loosen.

adjusting handle height

To adjust the handle height, release the lock tab on the collar and adjust the handle to the desired height. Push the lock tab back to tighten.

adjusting seat height

To adjust the seat height, turn the adjustment knob located under seat counterclockwise until free of frame. Set seat to desired height and return adjustment knob. Turn clockwise to tighten.

to fold tiller

To fold the tiller down, pull the bottom lock lever away from the knee walker until the lock is disengaged. While holding the lock lever in the down position, fold the tiller down until it rests on the knee pad.